

FEDERAL SUPPLY CLASS  
5340

REV.  
D

RATIONALE

REVISE DRY FILM LUBRICANT SPECIFICATION TO AS5272 IN NOTE 8, UPDATE ANSI Y14.5M TO 1982 REVISION, ADD NEW NOTE FOR DISPOSITION OF EXISTING INVENTORY, ADD FSC NUMBER, UPDATE REFERENCES THROUGHOUT, GENERAL EDITORIAL UPDATES.

MA3330™

SAE Technical Standards Board Rules provide that: "This report is published by SAE to advance the state of technical and engineering sciences. The use of this report is entirely voluntary, and its applicability and suitability for any particular use, including any patent infringement arising therefrom, is the sole responsibility of the user." SAE reviews each technical report at least every five years at which time it may be revised, reaffirmed, stabilized, or cancelled. SAE invites your written comments and suggestions.

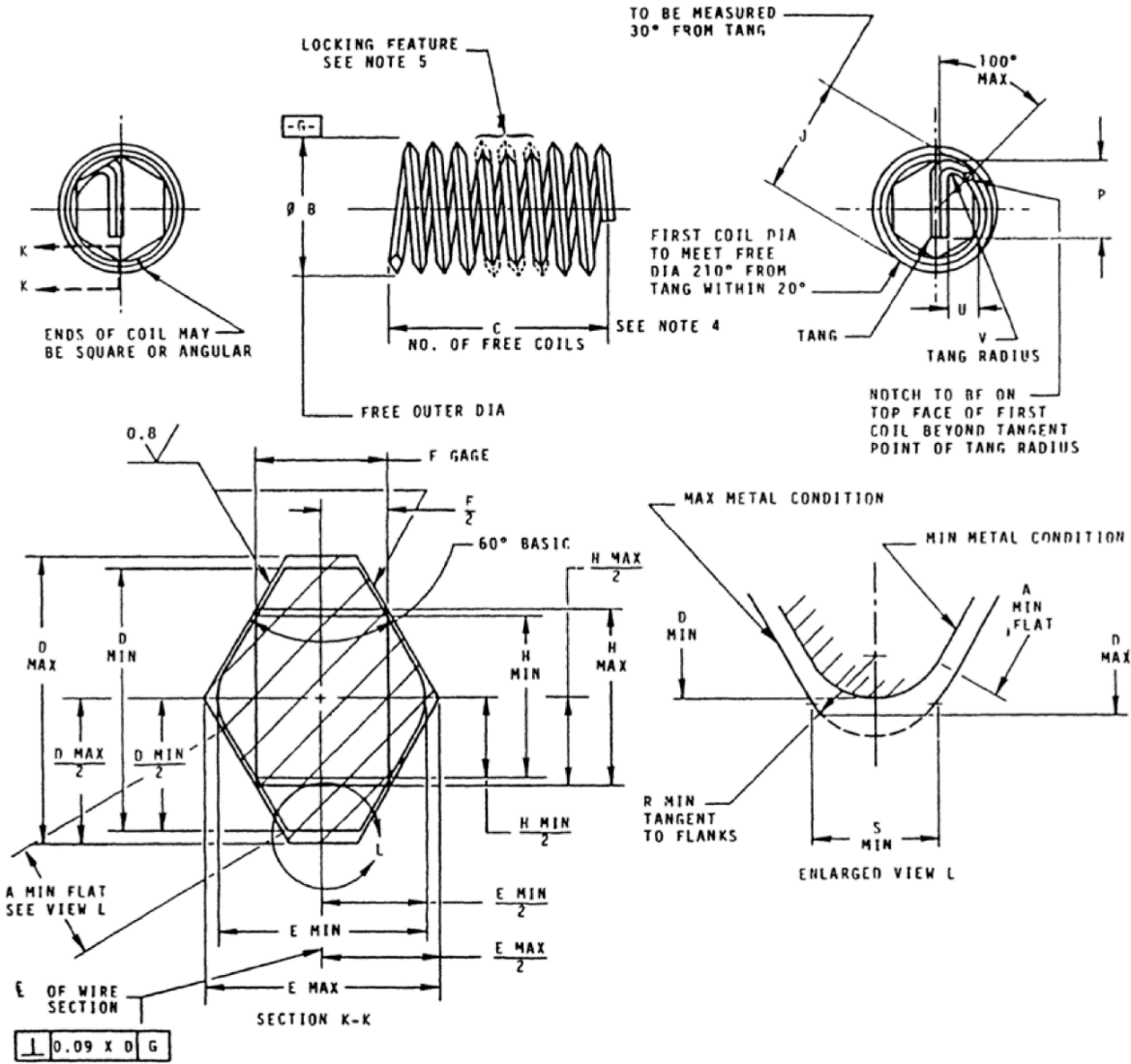
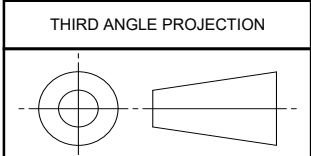


FIGURE 1 - INSERT

SAE values your input. To provide feedback on this Technical Report, please visit <http://standards.sae.org/MA3330D>



CUSTODIAN: E-25

PROCUREMENT SPECIFICATION: MA1565



METRIC AEROSPACE STANDARD

INSERT, SCREW THREAD, HELICAL COIL, METRIC SERIES, SCREW LOCKING, CRES, DRY FILM LUBRICATED

MA3330™  
SHEET 1 OF 5

REV.  
D

ISSUED 1981-09 REAFFIRMED 2012-12 REVISED 2019-06

TABLE 1

THREAD SIZE	THREAD PITCH	AEROSPACE STANDARD		AEROSPACE STANDARD		AEROSPACE STANDARD		AEROSPACE STANDARD		NOMINAL LENGTH		NOMINAL LENGTH		NOMINAL LENGTH		A MIN	B MIN	B MAX
		1 DIA	1.5 DIA	2 DIA	2.5 DIA	3 DIA	1 DIA	1.5 DIA	2 DIA	2.5 DIA	NOTE 1	NOTE 1	NOTE 1	NOTE 1	NOTE 1			
2	0.4	MA3330-100	MA3330-190	MA3330-240	MA3330-290	MA3330-340	MA3330-390	MA3330-440	MA3330-490	3.0	4.0	5.0	6.0	0.074	2.50	2.70		
2.2	0.45	MA3330-101	MA3330-150	MA3330-200	MA3330-250	MA3330-300	MA3330-350	MA3330-400	MA3330-450	3.3	4.4	5.5	6.6	0.082	2.80	3.00		
2.5	0.45	MA3330-102	MA3330-151	MA3330-201	MA3330-251	MA3330-301	MA3330-351	MA3330-401	MA3330-451	3.8	5.0	6.3	7.5	0.082	3.20	3.70		
3	0.5	MA3330-103	MA3330-152	MA3330-202	MA3330-252	MA3330-302	MA3330-352	MA3330-402	MA3330-452	4.5	6.0	7.5	9.0	0.105	3.80	4.35		
3.5	0.6	MA3330-104	MA3330-153	MA3330-203	MA3330-253	MA3330-303	MA3330-353	MA3330-403	MA3330-453	5.3	7.0	8.8	10.5	0.160	4.40	4.95		
4	0.7	MA3330-105	MA3330-154	MA3330-204	MA3330-254	MA3330-304	MA3330-354	MA3330-404	MA3330-454	6.0	8.0	10.0	12.0	0.163	5.05	5.60		
5	0.8	MA3330-106	MA3330-155	MA3330-205	MA3330-255	MA3330-305	MA3330-355	MA3330-405	MA3330-455	7.5	10.0	12.5	15.0	0.209	6.25	6.80		
6	1	MA3330-107	MA3330-156	MA3330-206	MA3330-256	MA3330-306	MA3330-356	MA3330-406	MA3330-456	9.0	12.0	15.0	18.0	0.267	7.40	7.95		
7	1	MA3330-108	MA3330-157	MA3330-207	MA3330-257	MA3330-307	MA3330-357	MA3330-407	MA3330-457	10.5	14.0	17.5	21.0	0.267	8.65	9.20		
8	1	MA3330-109	MA3330-158	MA3330-208	MA3330-258	MA3330-308	MA3330-358	MA3330-408	MA3330-458	12.0	16.0	20.0	24.0	0.267	9.70	10.25		
8	1.25	MA3330-110	MA3330-159	MA3330-209	MA3330-259	MA3330-309	MA3330-359	MA3330-409	MA3330-459	15.0	16.0	20.0	24.0	0.415	9.80	10.35		
10	1	MA3330-111	MA3330-160	MA3330-210	MA3330-260	MA3330-310	MA3330-360	MA3330-410	MA3330-460	18.0	20.0	25.0	30.0	0.267	11.95	12.50		
10	1.5	MA3330-112	MA3330-161	MA3330-211	MA3330-261	MA3330-311	MA3330-361	MA3330-411	MA3330-461	15.0	20.0	25.0	30.0	0.415	12.10	12.65		
12	1.25	MA3330-113	MA3330-162	MA3330-212	MA3330-262	MA3330-312	MA3330-362	MA3330-412	MA3330-462	18.0	24.0	30.0	36.0	0.415	14.30	15.00		
12	1.75	MA3330-114	MA3330-163	MA3330-213	MA3330-263	MA3330-313	MA3330-363	MA3330-413	MA3330-463	18.0	24.0	30.0	36.0	0.511	14.25	14.95		
14	1.5	MA3330-115	MA3330-164	MA3330-214	MA3330-264	MA3330-314	MA3330-364	MA3330-414	MA3330-464	12.0	20.0	30.0	36.0	0.654	14.30	15.00		
14	2	MA3330-116	MA3330-165	MA3330-215	MA3330-265	MA3330-315	MA3330-365	MA3330-415	MA3330-465	14.0	28.0	35.0	42.0	0.511	16.55	17.25		
16	1.5	MA3330-117	MA3330-166	MA3330-216	MA3330-266	MA3330-316	MA3330-366	MA3330-416	MA3330-466	14.0	28.0	35.0	42.0	0.799	16.65	17.35		
16	2	MA3330-118	MA3330-167	MA3330-217	MA3330-267	MA3330-317	MA3330-367	MA3330-417	MA3330-467	16.0	32.0	40.0	48.0	0.511	18.90	19.60		
18	1.5	MA3330-119	MA3330-168	MA3330-218	MA3330-268	MA3330-318	MA3330-368	MA3330-418	MA3330-468	16.0	32.0	40.0	48.0	0.799	18.90	19.60		
18	2	MA3330-120	MA3330-169	MA3330-219	MA3330-269	MA3330-319	MA3330-369	MA3330-419	MA3330-469	18.0	36.0	45.0	54.0	0.511	21.05	21.75		
18	2.5	MA3330-121	MA3330-170	MA3330-220	MA3330-270	MA3330-320	MA3330-370	MA3330-420	MA3330-470	18.0	36.0	45.0	54.0	0.799	21.15	21.85		
20	1.5	MA3330-122	MA3330-171	MA3330-221	MA3330-271	MA3330-321	MA3330-371	MA3330-421	MA3330-471	18.0	36.0	45.0	54.0	1.017	21.30	22.00		
20	2	MA3330-123	MA3330-172	MA3330-222	MA3330-272	MA3330-322	MA3330-372	MA3330-422	MA3330-472	20.0	40.0	50.0	60.0	0.511	23.15	24.00		
20	2.5	MA3330-124	MA3330-173	MA3330-223	MA3330-273	MA3330-323	MA3330-373	MA3330-423	MA3330-473	20.0	40.0	50.0	60.0	0.799	23.20	24.05		
22	1.5	MA3330-125	MA3330-174	MA3330-224	MA3330-274	MA3330-324	MA3330-374	MA3330-424	MA3330-474	20.0	40.0	50.0	60.0	1.017	23.55	24.40		
22	2	MA3330-126	MA3330-175	MA3330-225	MA3330-275	MA3330-325	MA3330-375	MA3330-425	MA3330-475	22.0	44.0	55.0	66.0	0.511	25.55	26.45		
22	2.5	MA3330-127	MA3330-176	MA3330-226	MA3330-276	MA3330-326	MA3330-376	MA3330-426	MA3330-476	22.0	44.0	55.0	66.0	0.799	25.60	26.50		
24	2	MA3330-128	MA3330-177	MA3330-227	MA3330-277	MA3330-327	MA3330-377	MA3330-427	MA3330-477	22.0	44.0	55.0	66.0	1.017	25.90	26.90		
24	3	MA3330-129	MA3330-178	MA3330-228	MA3330-278	MA3330-328	MA3330-378	MA3330-428	MA3330-478	24.0	48.0	60.0	72.0	0.799	28.10	29.10		
27	2	MA3330-130	MA3330-179	MA3330-229	MA3330-279	MA3330-329	MA3330-379	MA3330-429	MA3330-479	24.0	48.0	60.0	72.0	1.234	28.00	29.00		
27	3	MA3330-131	MA3330-180	MA3330-230	MA3330-280	MA3330-330	MA3330-380	MA3330-430	MA3330-480	27.0	54.0	67.5	81.0	0.799	31.30	32.30		
30	2	MA3330-132	MA3330-181	MA3330-231	MA3330-281	MA3330-331	MA3330-381	MA3330-431	MA3330-481	27.0	54.0	67.5	81.0	1.234	31.40	32.40		
30	3	MA3330-133	MA3330-182	MA3330-232	MA3330-282	MA3330-332	MA3330-382	MA3330-432	MA3330-482	30.0	60.0	75.0	90.0	0.799	34.50	35.70		
33	2	MA3330-134	MA3330-183	MA3330-233	MA3330-283	MA3330-333	MA3330-383	MA3330-433	MA3330-483	30.0	60.0	75.0	90.0	1.234	34.90	36.10		
33	3	MA3330-135	MA3330-184	MA3330-234	MA3330-284	MA3330-334	MA3330-384	MA3330-434	MA3330-484	33.0	66.0	82.5	99.0	0.799	37.80	39.20		
36	2	MA3330-136	MA3330-185	MA3330-235	MA3330-285	MA3330-335	MA3330-385	MA3330-435	MA3330-485	33.0	66.0	82.5	99.0	1.234	38.10	39.50		
36	3	MA3330-137	MA3330-186	MA3330-236	MA3330-286	MA3330-336	MA3330-386	MA3330-436	MA3330-486	36.0	72.0	90.0	108.0	0.799	41.00	42.40		
39	2	MA3330-138	MA3330-187	MA3330-237	MA3330-287	MA3330-337	MA3330-387	MA3330-437	MA3330-487	36.0	72.0	90.0	108.0	1.234	41.30	42.70		
39	3	MA3330-139	MA3330-188	MA3330-238	MA3330-288	MA3330-338	MA3330-388	MA3330-438	MA3330-488	39.0	78.0	97.5	117.0	0.799	44.30	45.70		
			MA3330-189	MA3330-239	MA3330-289	MA3330-339	MA3330-389	MA3330-439	MA3330-489	39.0	78.0	97.5	117.0	1.234	44.40	45.80		



**METRIC AEROSPACE STANDARD**

INSERT, SCREW THREAD, HELICAL COIL,  
METRIC SERIES, SCREW LOCKING, CRES,  
DRY FILM LUBRICATED

**MA3330™**  
SHEET 2 OF 5

**REV. D**